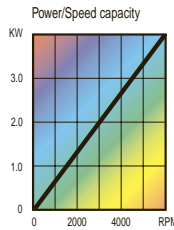
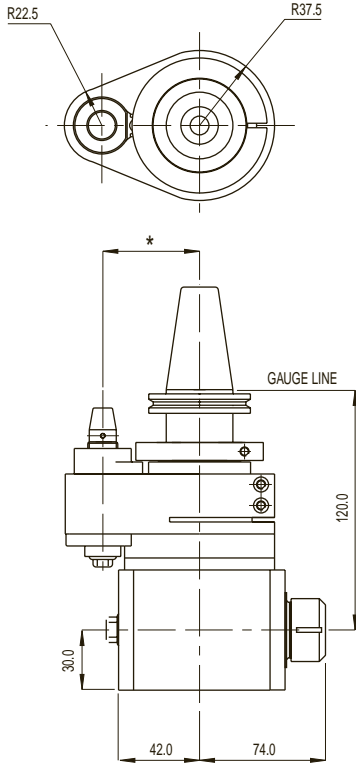


RAD 120 RIGHT ANGLE MILL/DRILL/TAP



The smallest standard right angle head in the Centreline programme, the RAD-120 is able to accommodate end mills, drills and tension tap collets.

It is designed primarily to fit the 30 taper machining centres.

- Auto tool change capability
- Alternative drive tapers available
- Maintenance free sealed unit

* Pin centre distance to suit application



Max. speed	6,000 rpm
Max. tool shank dia.	10 mm / 3/8"
Max. tapping size	M6 / 1/4"
Ratio	1:1
Rotation	Opposite
Drive taper	30/40 BT-CT-DIN-HSK
Tool holding	Collet chuck ER16
Max. weight without tooling	4.0 kg / 9 lbs