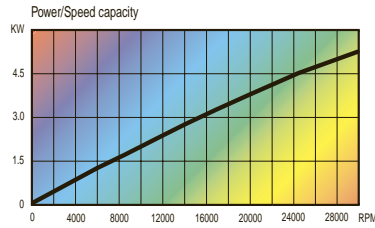
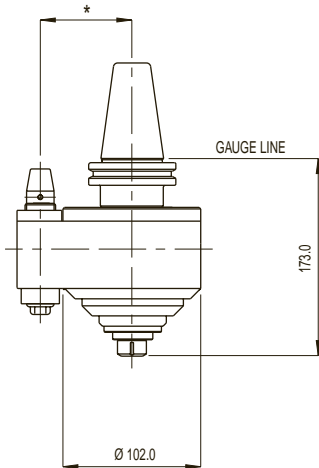
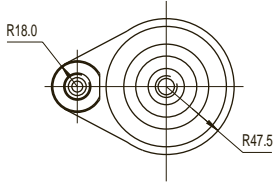


## SPR 607 SPEED INCREASER



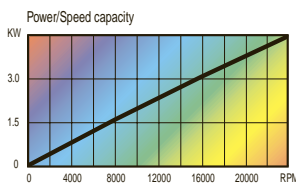
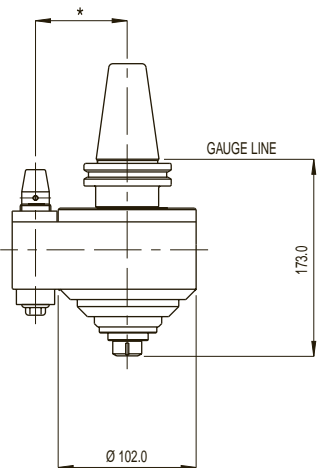
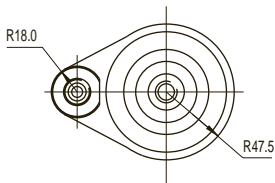
- Auto tool change capability
- Alternative drive tapers available
- Maintenance free sealed unit

\* Pin centre distance to suit application



Max. speed - 20% running	30,000 rpm
Max. speed - constant	25,000 rpm
Max. tool shank dia.	7 mm / 1/4"
Ratio	6:1
Rotation	Same
Drive taper	40 BT-CT-DIN-HSK
Tool holding	Collet chuck ER11
Max. weight without tooling	5.2 kg / 12 lbs

## SPR 610 SPEED INCREASER



- Auto tool change capability
- Alternative drive tapers available
- Maintenance free sealed unit

\* Pin centre distance to suit application



Max. speed - 20% running	26,000 rpm
Max. speed - constant	22,500 rpm
Max. tool shank dia.	10 mm / 3/8"
Ratio	6:1
Rotation	Same
Drive taper	40 BT-CT-DIN-HSK
Tool holding	Collet chuck ER16
Max. weight without tooling	5.2 kg / 12 lbs